



- Media Temperature Range -20-200C
- Compact Size
- Temperature Error +/- .5C
- BLE Wireless Communication (Android/IoS)
- Media – Liquid, Air, & Gas
- IP65
- Monitor up to 10 sensors at a time
- 3 Sec Time Constant
- Long Battery Life
- Stores up to 100,000 Data Points



DESCRIPTION

The WETS25 is a Bluetooth wireless temperature sensor manufactured for simple measurements on a variety of applications. This temperature sensor was designed to supply an economical solution for industrial, consumer, and commercial applications.

Simply download the Phoenix Sensors application from our website and connect to the device. The sensor will shut down (Sleep mode) automatically when it is not in use to preserve the battery. The battery version will last up 18-months in continuous (1 measurement/60 sec) use. Please contact us for Custom design availability.

The Mobile Software enables the user to store data to evaluate later. The Android's on-board memory stores up to 2,000 hours of data for troubleshooting or evaluation of system pressure or temperature.

- Consumer products
- Industrial Automation
- HVAC
- Pool Pumps
- Compressor
- Pneumatics

Maximum Environmental Ratings

Operating Temperature -20°C to 200°C

Storage Temperature Range-20°C to 150°C

Steam Engine

The WETS25 wireless temperature sensor can withstand high temperatures, making it ideal for monitoring critical points in steam engines. Its robust design ensures accurate temperature readings in environments with fluctuating thermal conditions, providing essential data for maintaining performance and preventing overheating.



Hydraulic Pumps



With its wide temperature range and long battery life, the WETS25 sensor is an excellent choice for hydraulic pump applications. It provides remote temperature monitoring, allowing operators to detect and respond to thermal fluctuations, ensuring the longevity and efficiency of hydraulic systems.

Designed to handle high temperatures up to 200°C, the WETS25 sensor is perfect for commercial oven monitoring. It offers reliable, wireless temperature readings, enabling businesses to optimize cooking processes, maintain food safety standards, and ensure consistent oven performance.

Commercial Oven



WETS25 Operational Characteristics

$V_+ = 5V$, $V_- = 0V$, Temperature = 25°C

PARAMETER	SYMBOL	MIN	TYP	MAX	UNITS
Supply Voltage (note 1)	V_{DD}	2.7	3	3.3	V
Supply Voltage (note 2)	V_{DD}	5	12	16	V
Supply Current	I_{DD}	5	50	250	uA
Wireless Digital Output (BLE)	BLE				
Temperature Error (Null and Span) (Note 3)		-1.5		+1.5	C
Response Time	t_R	3	5	60,000	Ms
Operating Temperature (Digital)	OT	-20		150	C
Operating Temperature (RTD)	OT	-20		200	C

Notes:

1) Battery & Rechargeable Version - 3V battery operation 2) 12V Wired Option 3) NTC (.1 C, & .5 C Options available), RTD (.1C accuracy)

Application Information

Package

The two piece body design is made of SS304 (or Brass), which allows for easy low-cost manufacturability and corrosion resistance. Vibration proof design for use in industrial applications. Plastic option is available for OEM custom designs.

Pressure port

1/4" -18NPT and 1/8"-18NPT threads are standard SS fittings. Other port fittings such as 7/16-20UNF, and 1/4" BSP are available for OEM customers.

Media

The pressure port is tolerant to most media including but not limited to oil, air, gas, and non-corrosive media to brass or SS304.

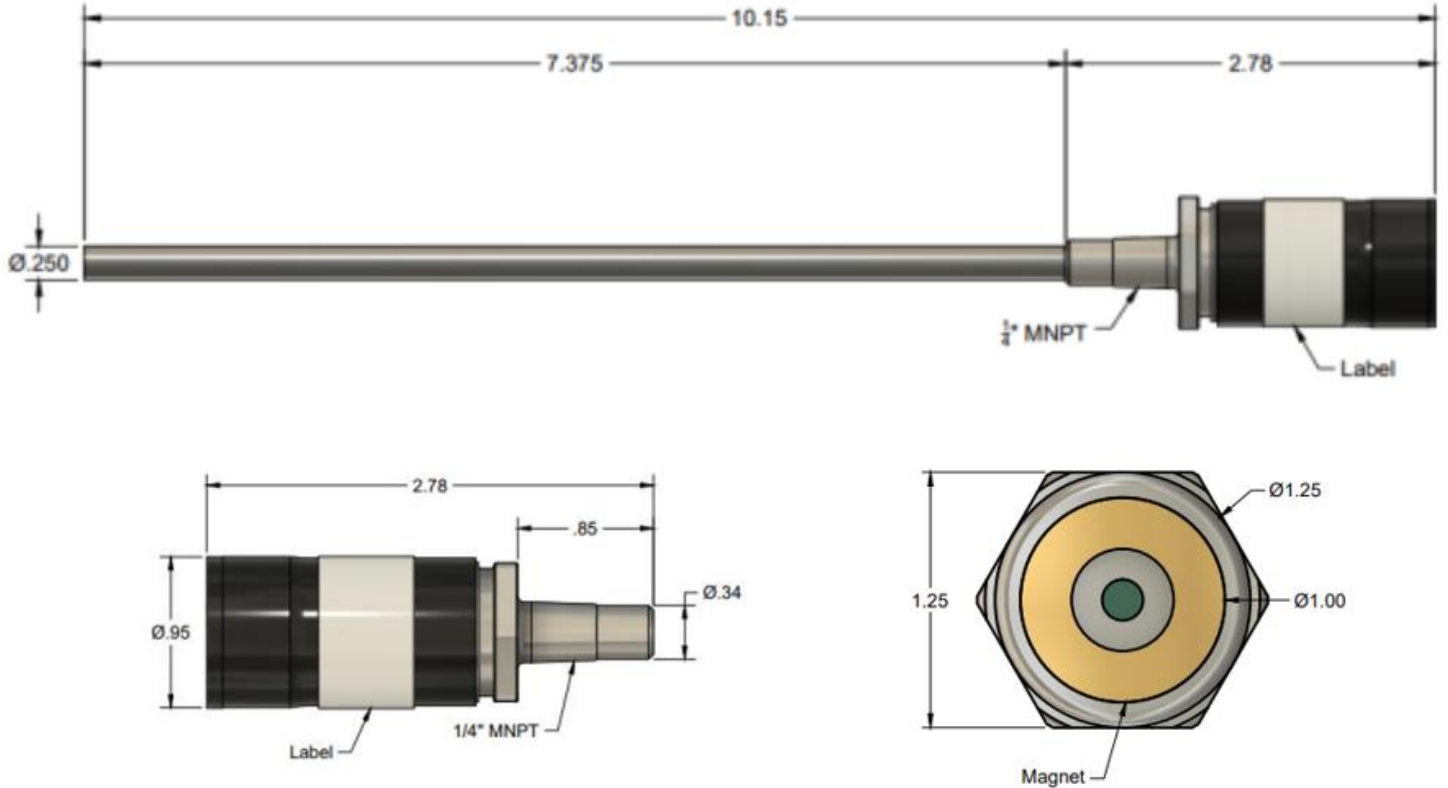
Wetted parts

When checking media capability, the wetted surface is composed of Aluminum and Silicon Gel.

Temperature Ranges

Standard temperature ranges are -20-200C. Custom temperature ranges are available for OEM customers.

Mechanical Dimensions (inches)



Part Number Configuration

Model	Material	Sensor Type	Thread	Probe Length	Cable Length (Optional)
WETS25	0 = Brass	R = RTD (-20 to +200°C)	0 = No Thread	S = Standard (1/2")	1 = 1FT Cable
	1 = Stainless Steel	D = Digital (-20 to 150°C)	1 = 1/4"NPT	2 = 2" Probe	20 = 20FT Cable
			2 = 1/8"NPT	4 = 4" Probe	
			3 = 7/16"-20UNF	6 = 6" Probe	
			Custom Thread Options Available	8 = 8" Probe	
Example: WETS25-0-R12					

(480) 462-1810 sales@PhoenixSensors.com

Notice:

Phoenix Sensors LLC reserves the right to make changes to the product contained in this publication. Phoenix Sensors LLC assumes no responsibility for the use of any circuits described herein, conveys no license under any patent or other right, and makes no representation that the circuits are free of patent infringement. While the information in this publication has been checked, no responsibility, however, is assumed for inaccuracies.

Phoenix Sensors LLC does not recommend the use of any of its products in life support applications where the failure or malfunction of the product can reasonably be expected to cause failure of a life-support system or to significantly affect its safety or effectiveness. Products are not authorized for use in such applications.